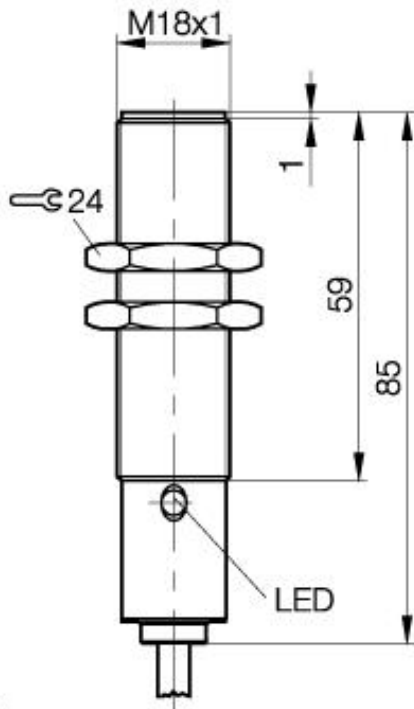


**Photoelectric Sensor**  
**BOS 18M-WS-7RB-BO-L-03**  
**Sn=2000mm**  
**Retroreflective**



PX0066

**Common Data**

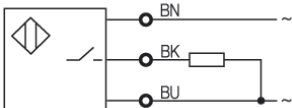
Series	18M
Sensortype	Retroreflective
Switching frequency	10 Hz
Rated operating distance Sn in mm	2000
asured operating distance Sa	2000
Repeat accuracy	< 5% from Sn
Hysteresis	< 10%
Indication Switching element on	yes, yellow LED
Ambient temperature	-5...+55°C
Light	Infrared
Sensitivity Adjustment	Poti
Blind zone / min Reflector distance	150/150mm
Permissable ambient light	10000 Lux
Output function	dark-on

**Mechanical Data**

Measurements	M18x85
Shock	Halfsinus, 30gn, 11ms
Vibration	10...55Hz, 1,5mm Amplitude 3x2h
Housing material	nickel plated brass
Material of sensing face	PMMA
Degree of protection	IP67
Connection	Cable
Weighth	160g
Type of Cable	PVC

**Electrical Data**

Current	AC
Switching function	normally-open
Rated operational voltage Ue	110V AC
Rated operational current Ie	200mA
Supply Voltage	20...250V AC
Ripple	< 10% from UB
Frequency of Supply Voltage	AC
Voltage drop	<4V
Short protection	no
Protected against polarity reversal	no
Rated insulation voltage	250V AC



Utilization categories  
 Insulation class

Datasheet number:

Definitions see general catalog.  
 If not otherwise noted, ratings according to  
 IEC 60947-5-2 (DIN EN60947-5-2)

Balluff GmbH  
 Schurwaldstrasse 9  
 73765 Neuhausen a.d.F.  
 Phone (07158) 173-0 Fax (07158) 5010

Datenblatt by CD-ROM - 04/2007

**BALLUFF**  
 sensors worldwide